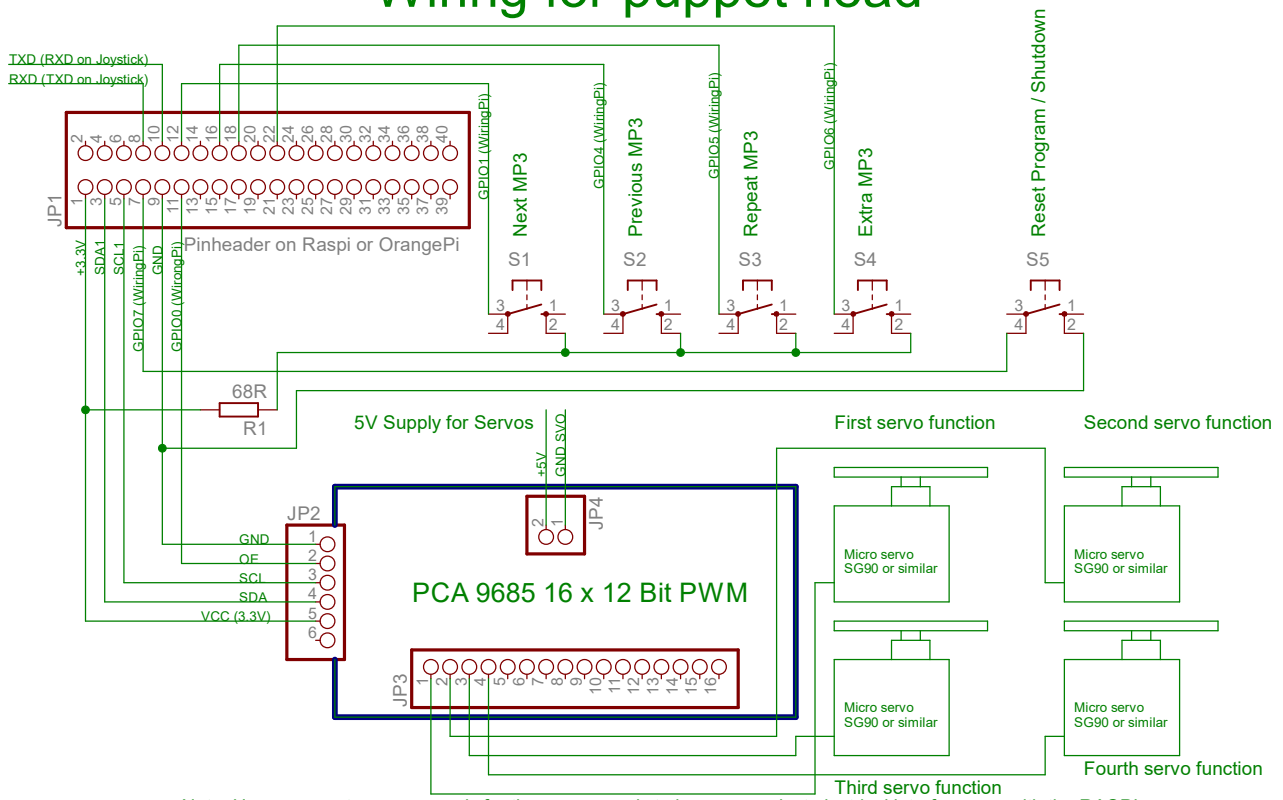


Wiring for puppet head



Note: Use a separate power supply for the servo supply to be save against electrical interferences with the RASPI